

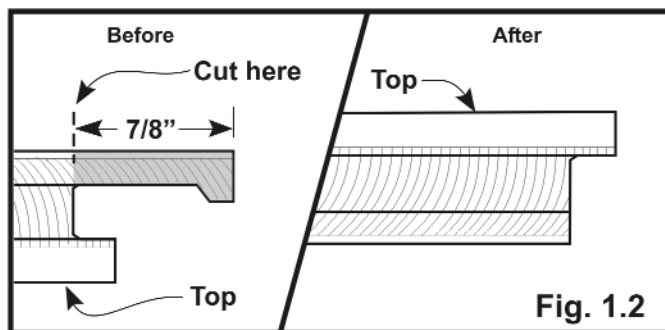
Board Replacement Instructions

5 Woodloc Board into Woodloc Floor (glue-down installation)

Important: You must determine starting walls before attempting to remove damaged board. Long and short side tongues will be facing starting walls.

Step 1: Preparing Replacement Board

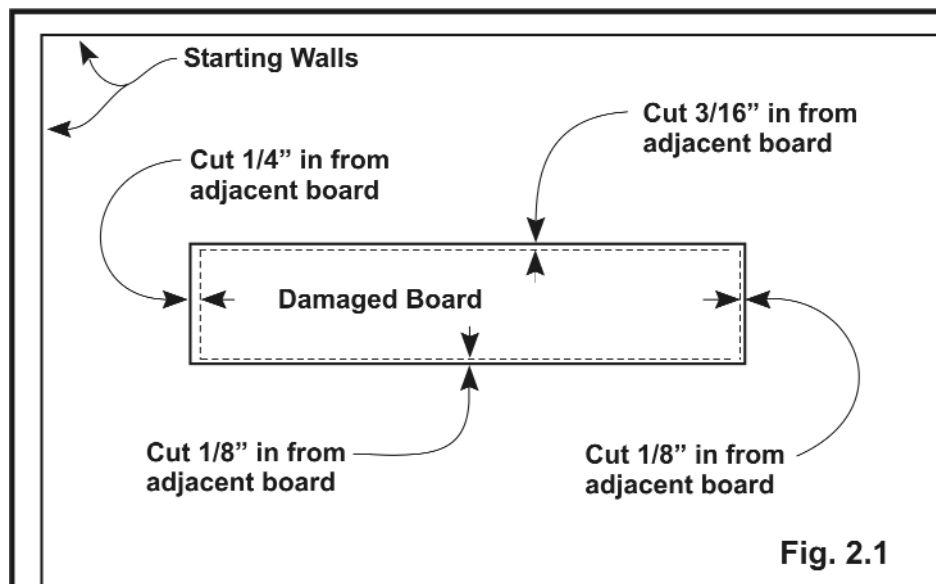
- 1.1 Acclimate unwrapped and exposed board in same room as existing floor until it reaches same WMC as floor.
- 1.2 Turn replacement board upside down and measure 7/8" in from edge of both long side and short side grooves (Fig. 1.2).



- 1.3 Set saw depth to cut off these protrusions, being careful not to cut too deep into bottom of wearlayer.

Step 2: Removing Damaged Board

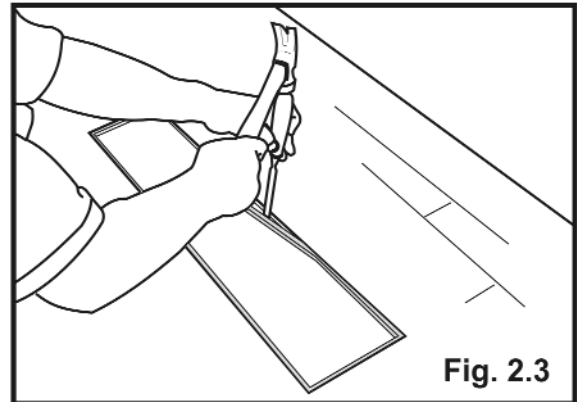
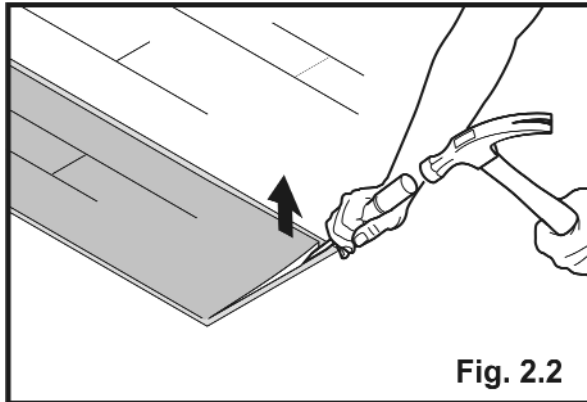
- 2.1 Make cuts in damaged board as shown in Fig 2.1. **Caution:** Do not cut into adjacent boards! Set saw blade depth to 15mm (5/8") so subfloor is not damaged.



Board Replacement Instructions

5 Woodloc Board into Woodloc Floor (glue-down installation)

2.2 Remove center section of board using chisel as shown in Fig. 2.2.



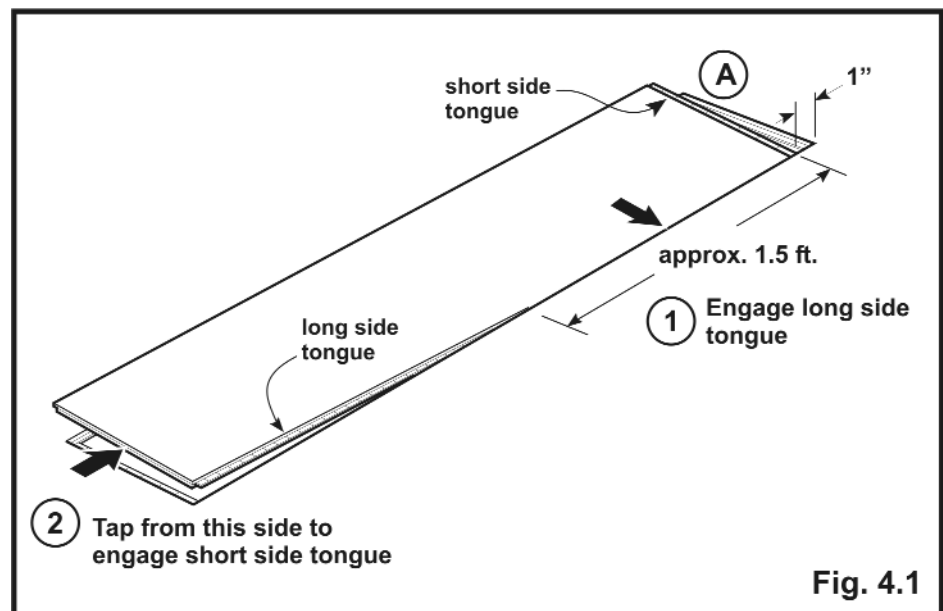
2.3 **Carefully** remove remainder of board still attached to adjacent boards using a chisel and hammer as shown in Fig. 2.3.

Step 3: Preparing Existing Floor

- 3.1 Ensure cavity in floor is free of any adhesive residue, pieces of damaged board, etc.
- 3.2 Vacuum area thoroughly.

Step 4: Installing Replacement Board

4.1 To ensure proper fit, dry-fit replacement board. Begin by placing replacement board approximately 1" from adjacent board short groove side (Fig. 4.1). Carefully tap replacement board to engage long side tongue (1) for approx. 1.5' along opening in floor. Do not engage entire length. Now engage short tongue side of replacement board (A) by carefully tapping opposite end (2). Then finish engaging entire long side tongue. Check for tight, flush fit and *carefully* remove replacement board using suction cups.



Board Replacement Instructions

5 Woodloc Board into Woodloc Floor (glue-down installation)

Step 4.1: Installing Replacement Board (con't.)

Tips for fitting: To reduce chance of overwood, use sharp chisel to remove remaining pine wood fibers from top of groove of replacement board. Never hit replacement board directly. Place Kährs knocking block flush to board edge and tap block with hammer. Use caution not to damage adjacent boards.

- 4.2 Spread approved wood flooring adhesive in subfloor cavity (see Kährs Professional Installation Guide @ www.kahrs.com for approved adhesives) as shown in Fig. 4.2.

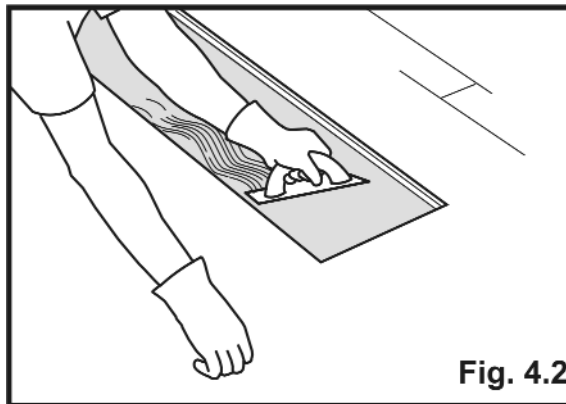


Fig. 4.2

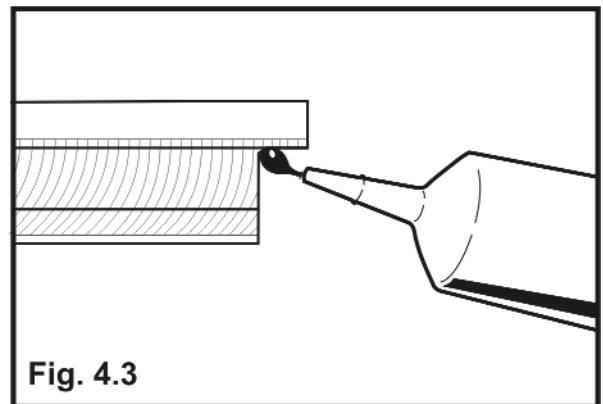


Fig. 4.3

- 4.3 Apply a continuous 1/8" bead of Kährs Landobond Adhesive (sku # 710225) to bottom inside edge of replacement board grooves as shown in Fig. 4.3.
- 4.4 Span long and short overlapped joint with an extra Kährs board and apply weight (150 lbs. evenly distributed over 8') for 24 hours or until adhesive is dry (see adhesive manufacturer's instructions for details).