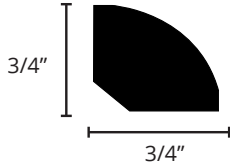


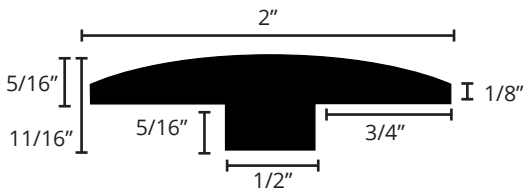
MOLDINGS FOR ALL KÄHRS WOOD FLOORS



QUARTER ROUND

Conceals expansion space between the wall and Kährs hardwood flooring. Also used to transition between wood flooring and cabinetry.

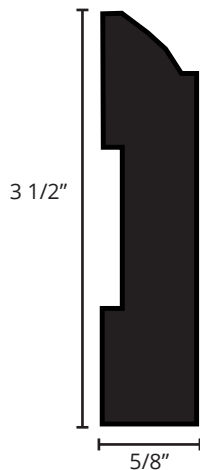
| Applicable Collections | Molding Dimensions | Pieces per Order | Shipment Weight |
|------------------------|--------------------|------------------|-----------------|
| All Floors | 3/4" x 3/4" x 78" | 10 | 10 lbs |



T-MOLDING

Used in doorways to blend flooring surfaces in adjoining rooms or where floors of the same thickness meet.

| Applicable Collections | Molding Dimensions | Pieces per Order | Shipment Weight |
|------------------------|--------------------|------------------|-----------------|
| All Floors | 2" x 11/16" x 78" | 5 | 25 lbs |



WALL BASE

Provides an elegant, traditional transition from the flooring to wall. Gives any room a more formal, finished appearance.

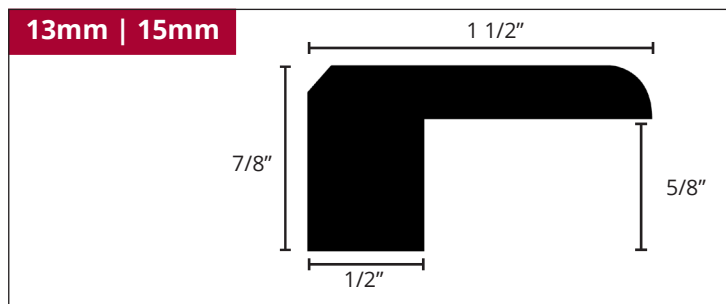
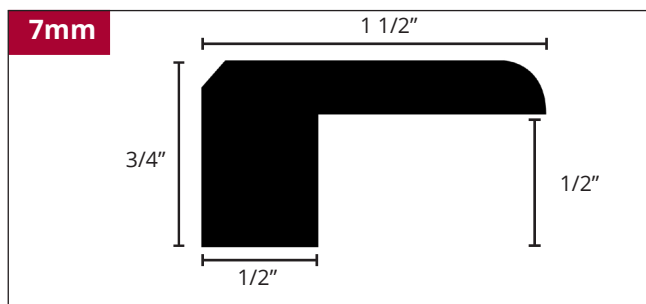
| Applicable Collections | Molding Dimensions | Pieces per Order | Shipment Weight |
|------------------------|---------------------|------------------|-----------------|
| All Floors | 5/8" x 3 1/2" x 78" | 5 | 25 lbs |

MOLDINGS SPECIFIC TO FLOOR THICKNESS

SQUARE NOSE REDUCER

Installed against vertical surfaces such as patio doors or fireplace hearths.

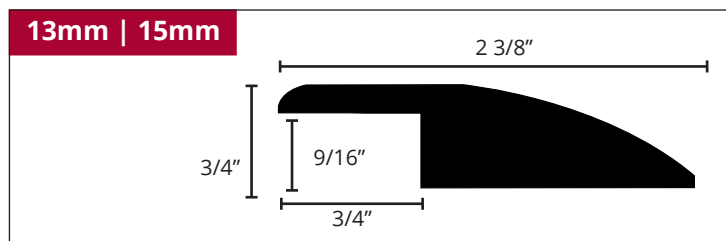
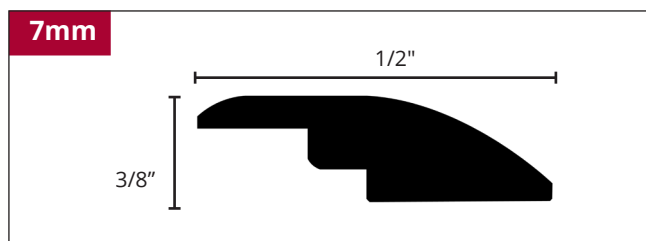
| Applicable Collections | Molding Dimensions | Pieces per Order | Shipment Weight |
|--|---------------------|------------------|-----------------|
| Kährs Life (7mm) | 1 1/2" x 3/4" x 78" | 5 | 10 lbs |
| Kährs Avanti (13mm) Kährs Original, Supreme, ID (15mm) | 1 1/2" x 7/8" x 78" | 5 | 10 lbs |



OVERLAP REDUCER

Used with floating floor applications to provide a smooth transition between floors of different heights. Overlap profile allows the installed flooring to expand and contract.

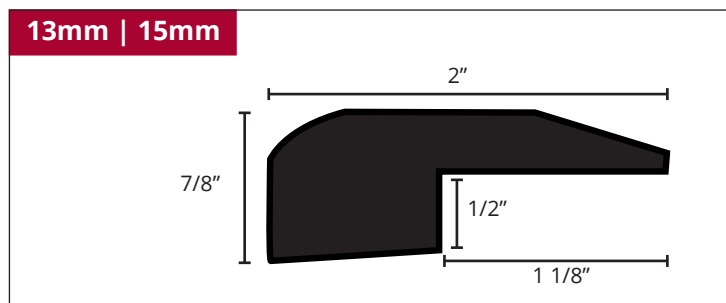
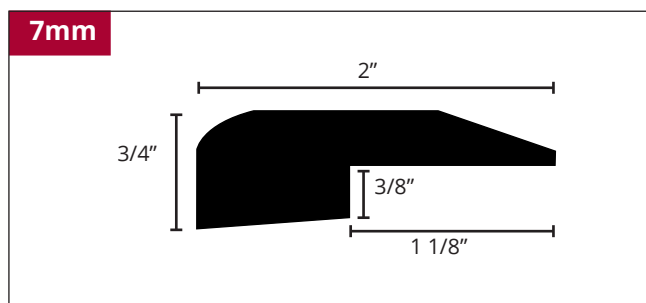
| Applicable Collections | Molding Dimensions | Pieces per Order | Shipment Weight |
|--|---------------------|------------------|-----------------|
| Kährs Life (7mm) | 1/2" x 3/8" x 78" | 5 | 10 lbs |
| Kährs Avanti (13mm) Kährs Original, Supreme, ID (15mm) | 2 3/8" x 3/4" x 78" | 5 | 10 lbs |



THRESHOLD

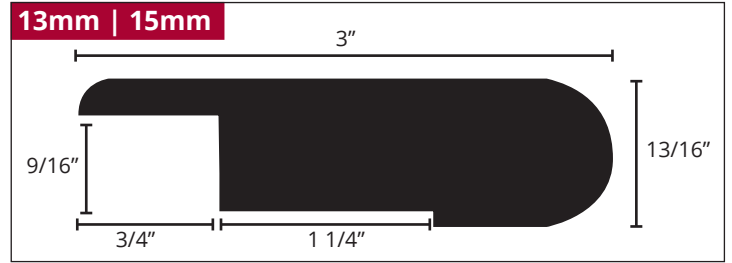
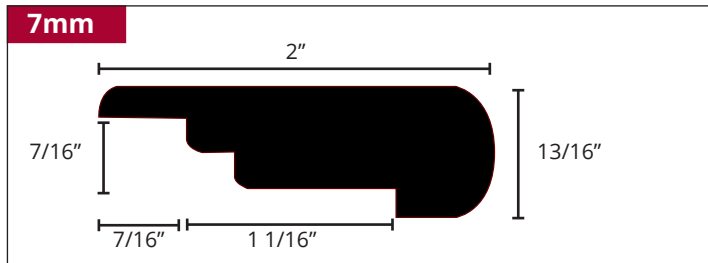
Ideal for doorways or to transition between floors of different heights. Used with wood, tile or carpet.

| Applicable Collections | Molding Dimensions | Pieces per Order | Shipment Weight |
|--|--------------------|------------------|-----------------|
| Kährs Life (7mm) | 2" x 3/4" x 78" | 10 | 10 lbs |
| Kährs Avanti (13mm) Kährs Original, Supreme, ID (15mm) | 2" x 7/8" x 78" | 5 | 10 lbs |



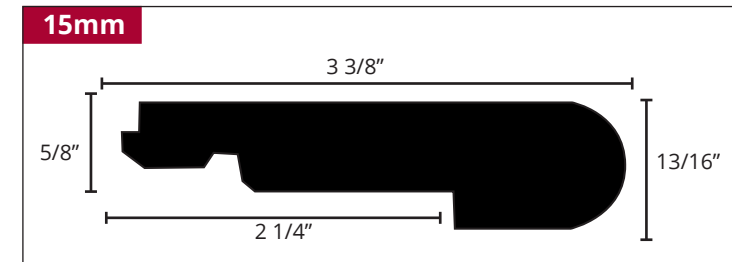
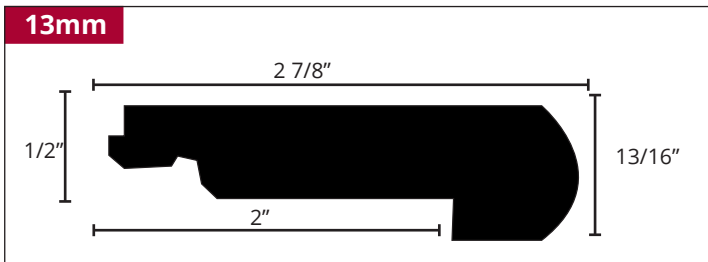
OVERLAP STAIR NOSINGS

| Applicable Collections | Molding Dimensions | Pieces per Order | Shipment Weight |
|--|--------------------|------------------|-----------------|
| Kährs Life (7mm) | 2" x 13/16" x 78" | 5 | 20 lbs |
| Kährs Avanti (13mm) Kährs Original, Supreme, ID (15mm) | 3" x 13/16" x 78" | 5 | 20 lbs |



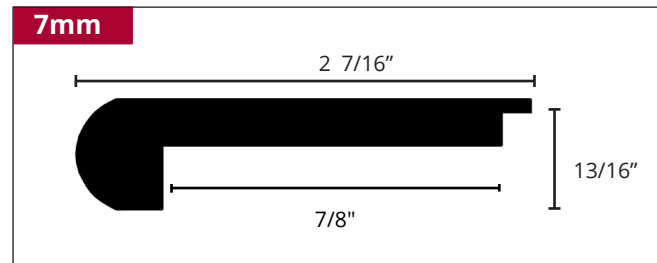
WOODLOC® STAIR NOSINGS

| Applicable Collections | Molding Dimensions | Pieces per Order | Shipment Weight |
|--------------------------------|-----------------------|------------------|-----------------|
| Kährs Avanti (13mm) | 2 7/8" x 13/16" x 78" | 5 | 20 lbs |
| Kährs Original, Supreme (15mm) | 3 3/8" x 13/16" x 78" | 5 | 20 lbs |



FLUSH STAIR NOSINGS, WOODLOC®

| Applicable Collections | Molding Dimensions | Pieces per Order | Shipment Weight |
|------------------------|------------------------|------------------|-----------------|
| Kährs Life (7mm) | 2 7/16" x 13/16" x 78" | 5 | 20 lbs |



FLUSH STAIR NOSINGS, TONGUE & GROOVE

| Applicable Collections | Molding Dimensions | Pieces per Order | Shipment Weight |
|------------------------|--------------------|------------------|-----------------|
| Kährs ID (15mm) | 3" x 13/16" x 78" | 5 | 20 lbs |

