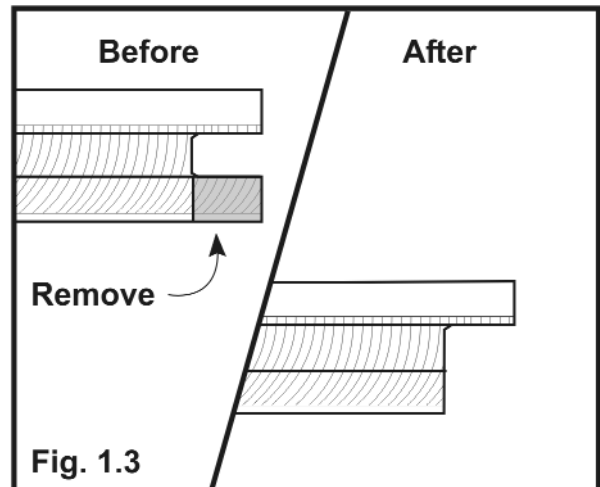
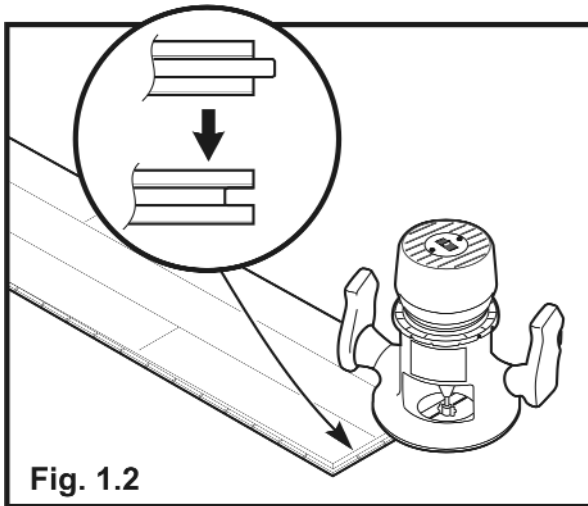


# Board Replacement Instructions

## 1 Tongue & Groove Board into Tongue & Groove Floor

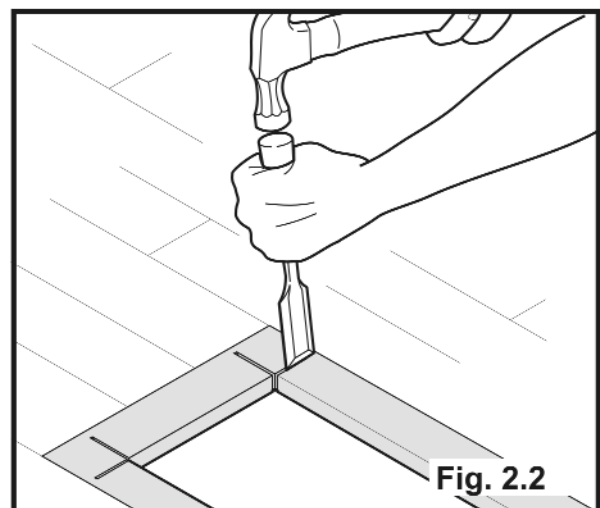
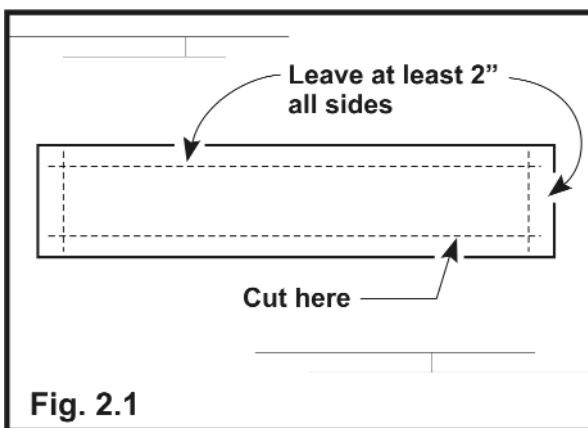
### Step 1: Preparing Replacement Board

- 1.1 Acclimate unwrapped and exposed board in same room as existing floor until it reaches same WMC as floor.
- 1.2 Using router with Kährs bit (SKU #710291) remove tongue from end of replacement board, thus creating a groove (Fig. 1.2).
- 1.3 Remove bottom of groove on all three sides of replacement board (Fig. 1.3).



### Step 2: Removing Damaged Board

- 2.1 Make cuts in damaged board as shown in (Fig. 2.1). **Caution:** Do not cut into adjacent boards or too deep into underlayment. Remove center section and save.
- 2.2 Using sharp chisel, finish cuts through top wood layer to edge of existing floor (Fig. 2.2).

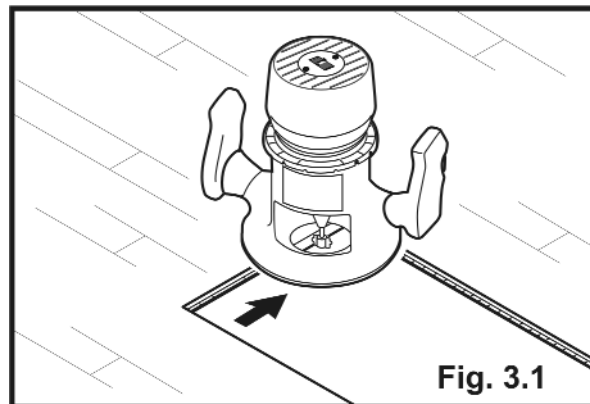
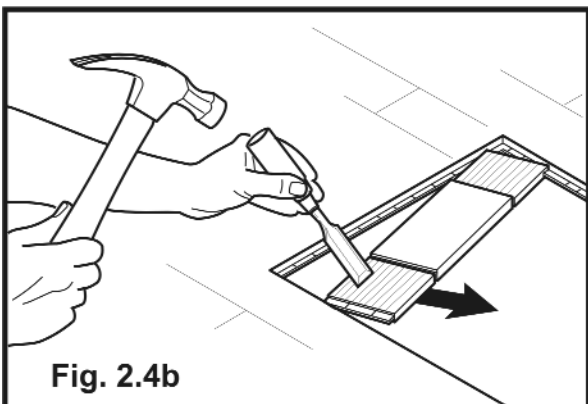
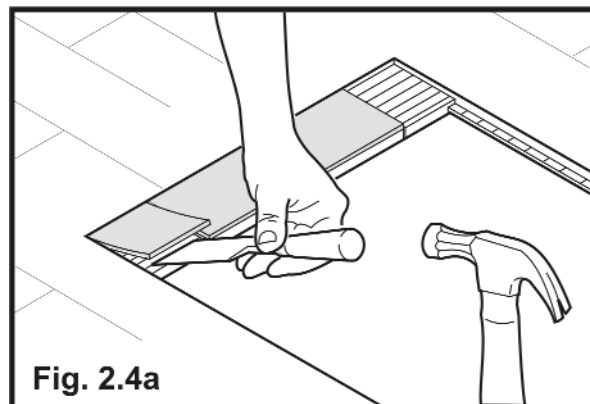
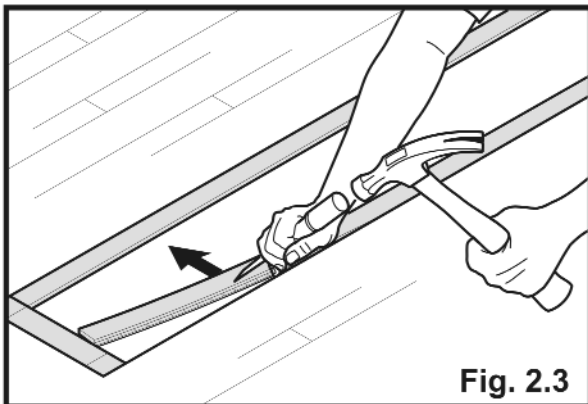


# Board Replacement Instructions

## 1 Tongue & Groove Board into Tongue & Groove Floor

### Step 2 (con't): Removing Damaged Board

- 2.3 Remove long sides of damaged board with chisel and hammer (Fig. 2.3).
- 2.4 Use chisel to remove top wood layer from outside sections of both damaged board ends (Fig. 2.4a). Then remove remainder of board ends with chisel and hammer as shown in (Fig. 2.4b).



### Step 3: Preparing Existing Floor

- 3.1 Use router with Kährs bit to clean both grooves and also remove tongue from remaining end joint (Fig. 3.1). Scrape off all glue residue from long factory tongue.
- 3.2 Vacuum area and repair any damage to underlayment. **Note:** All tears in underlayment must be covered with 8" overlap of 6 mil poly to ensure moisture protection.

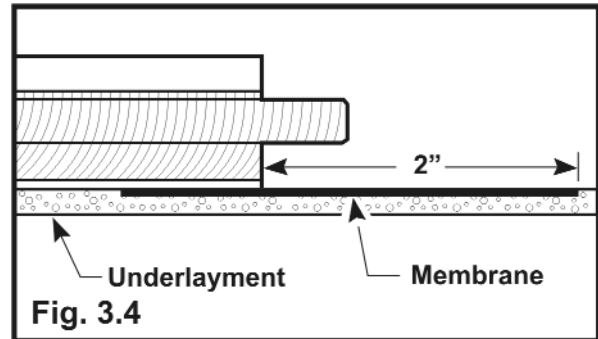
# Board Replacement Instructions

## 1 Tongue & Groove Board into Tongue & Groove Floor

### Step 3 (con't): Preparing Existing Floor

- 3.3 Glue splines (Kährs Spine SKU# 7090120) into end joints. Opening in floor should now have three tongues. Clean up any excess glue.
- 3.4 Place a membrane under floor on all tongue sides and extend into opening approx. 2" as shown in Fig. 3.4.

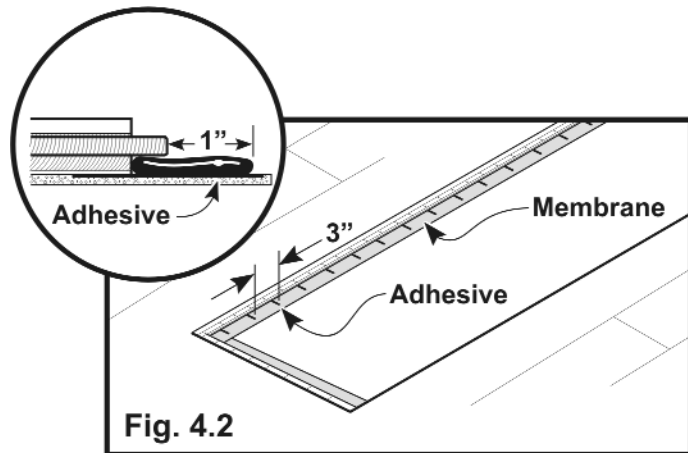
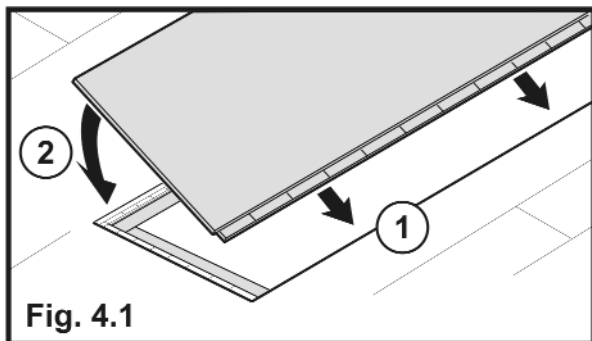
**Note:** Membrane should be something thin that will not result in peaking of seam between boards, ie. red rosin paper, plastic, paper drywall tape, etc.



### Step 4: Installing Replacement Board

- 4.1 To ensure proper fit, dry-fit replacement board (Fig. 4.1) by fully engaging factory tongue into groove (1) on floor and hinge board into place (2). Then remove replacement board.

**Tips for fitting:** To reduce chance of over-wood, use sharp chisel to remove remaining pine wood fibers from top of groove of replacement board. Never hit replacement board directly. Place knocking block flush to board edge and tap block with hammer. Use caution not to damage adjacent boards.



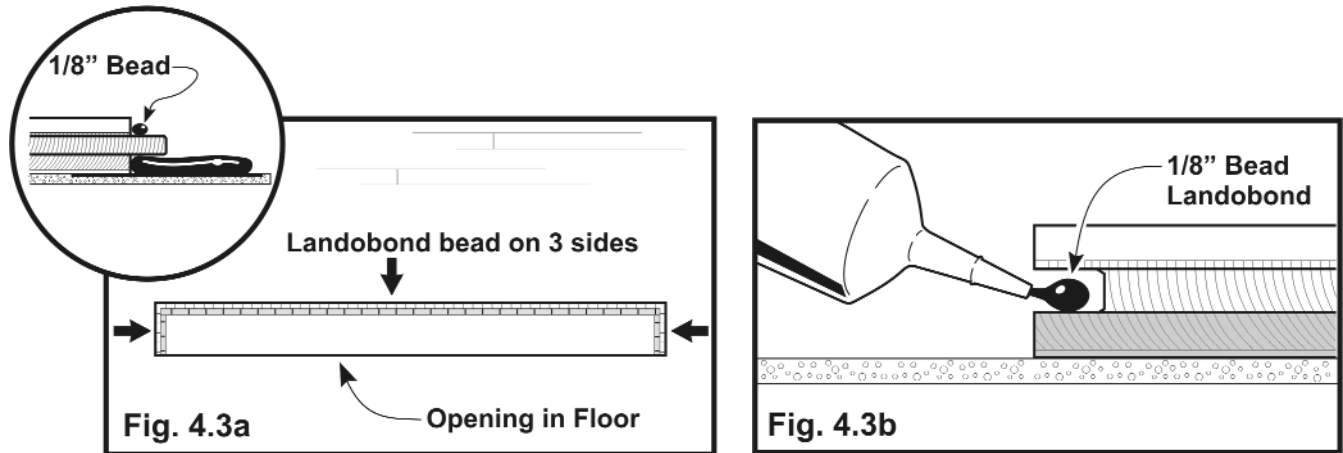
- 4.2 Place a 1/4" bead of construction adhesive that extends into opening 1" from under all tongues and on top of membrane (Fig. 4.2). Repeat bead every 3" on all three sides with tongues.

# Board Replacement Instructions

## 1 Tongue & Groove Board into Tongue & Groove Floor

### Step 4 (con't): Installing Replacement Board

- 4.3 Place continuous 1/8" bead of Kährs Landobond Adhesive (SKU# 710225) on top of each tongue of opening (Fig. 4.3a) and on bottom inside edge of groove (Fig. 4.3b).



- 4.4 Install replacement board as described in Step 4.1.  
4.5 Span long overlapped joint with cut-out portion of damaged board and apply weight (150 lbs. evenly distributed over 8') for 24 hours or until dry.