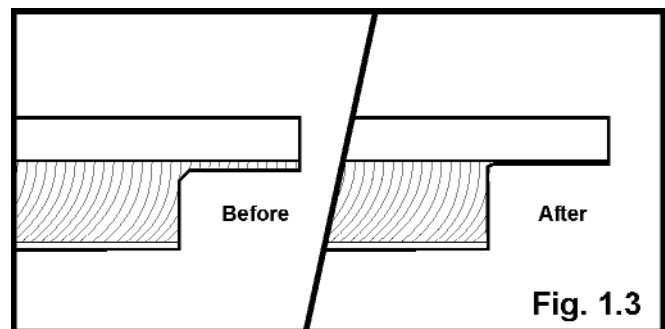
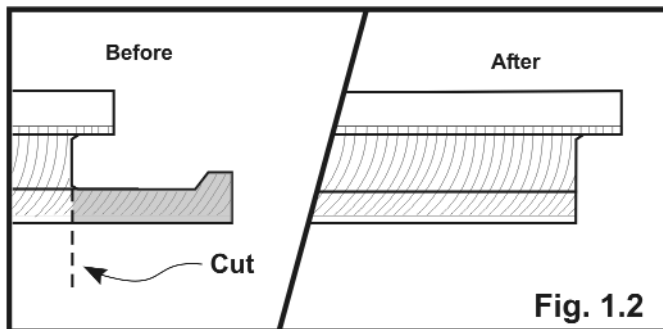


Board Replacement Instructions

3 Woodloc Board into Woodloc Floor

Step 1: Preparing Replacement Board

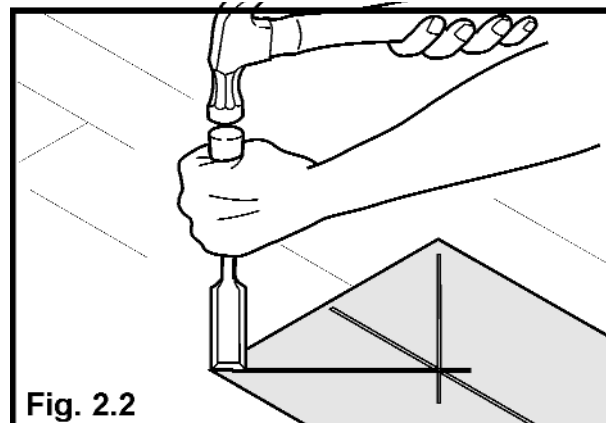
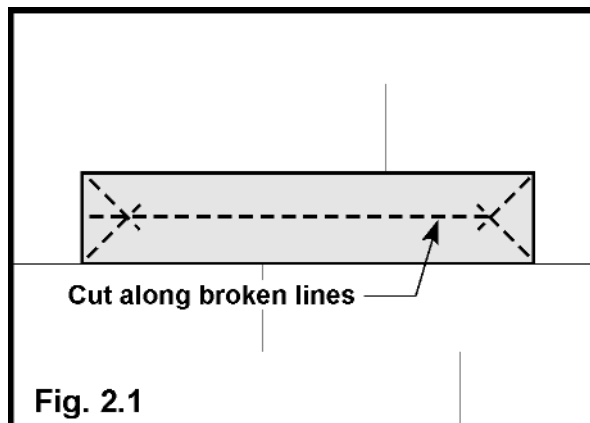
- 1.1 Acclimate unwrapped and exposed board in same room as existing floor until it reaches same WMC (wood moisture content) as floor.
- 1.2 Using a table saw remove part of grooves that extend beyond face of board (Fig. 1.2) on both long and short sides. Make sure cut surface is flush with back of groove.



- 1.3 To reduce chance of overwood, use sharp chisel or router to remove most of remaining pine wood fibers from top of groove on both the length and end of replacement board.

Step 2: Removing Damaged Board

- 2.1 Make cuts in damaged board as shown in Fig 2.1. **Caution:** Do not cut into adjacent boards or into underlayment. Set saw so that it will not cut completely through to underlayment.



- 2.2 Using sharp chisel, finish cuts through top wood layer to edge of existing floor as shown in Fig. 2.2. *Note: This step may not be required if saw cuts are within 1/4" from adjacent boards.* Vacuum area thoroughly before proceeding to next step.

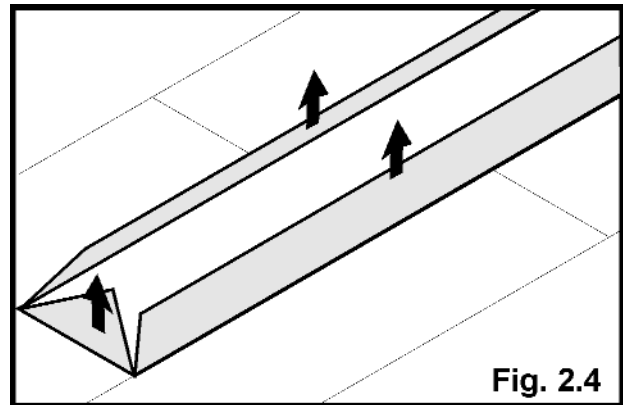
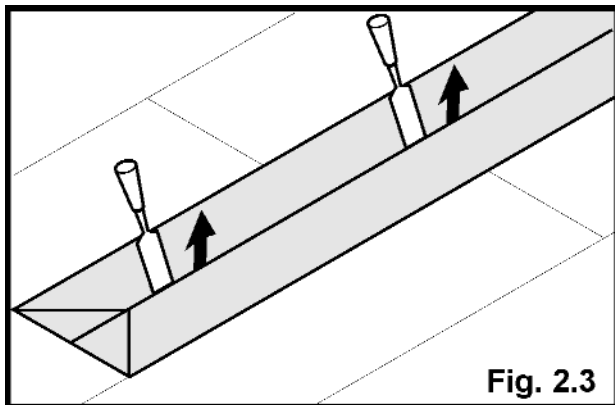
Board Replacement Instructions

3 Woodloc Board into Woodloc Floor

Step 2 (con't): Removing Damaged Board

2.3 Unlock long sides of damaged board by prying up with chisel and/or screwdriver.

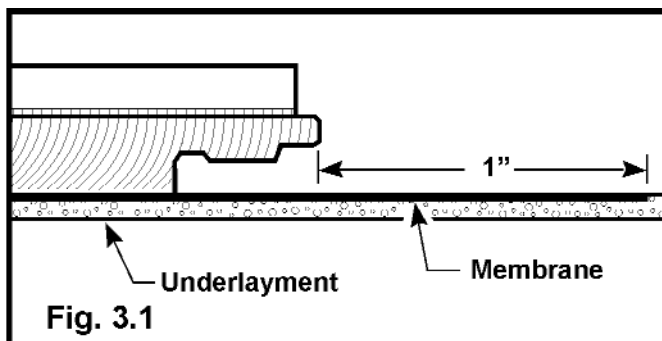
Caution: Do not damage underlayment.



2.4 Remove pieces of damaged board.

Step 3: Preparing Existing Floor

3.1 Vacuum the cavity and surrounding area again and repair any damage that may have been done to underlayment. In most cases, if damage is done, it will only be in surface of underlayment membrane. If only surface is damaged, apply duct tape or packing tape to repair the cut or tear. If both surfaces of membrane are damaged, tears must be covered with 8" overlap of 6 mil polyethylene to ensure moisture protection.



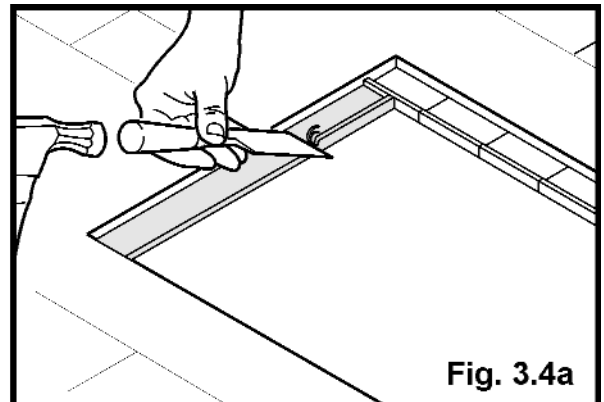
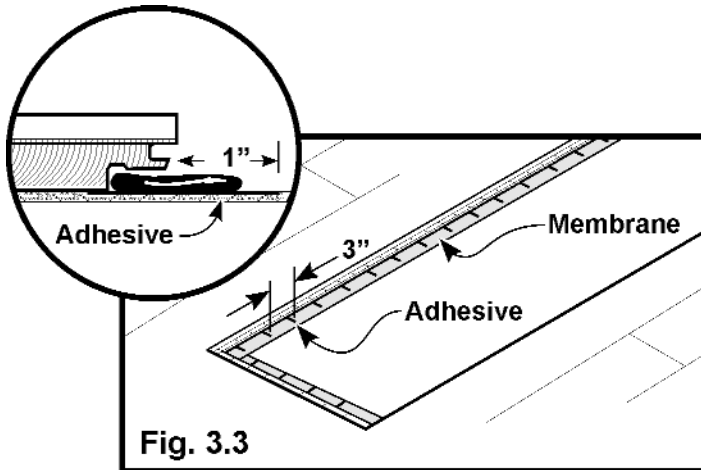
Note: Membrane repair material should be something thin that will not result in peaking of seam between boards, i.e., red rosin paper, plastic, paper drywall tape, etc.

3.2 Place a membrane under floor on both tongue sides and extend into opening approximately 1" as shown in Fig. 3.1. The strip of membrane **must** be under the board of existing floor as shown above.

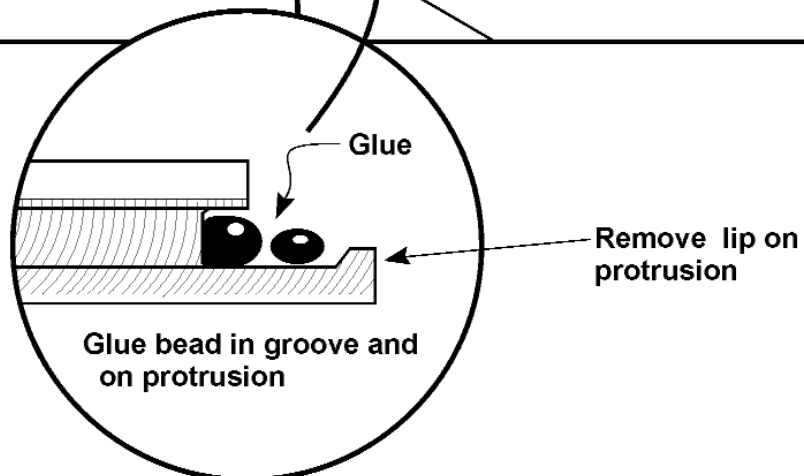
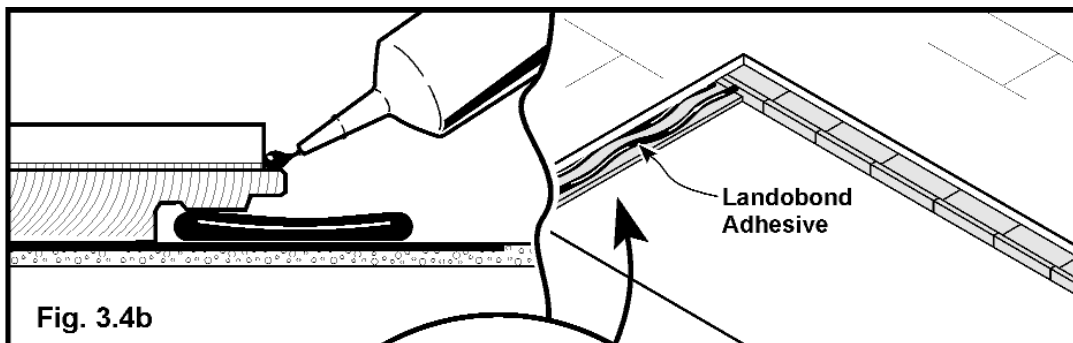
Board Replacement Instructions

3 Woodloc Board into Woodloc Floor

3.3 Place a 1/4" bead of construction adhesive that extends into opening 1" from under all tongues and on top of membrane (Fig. 3.3). Repeat bead every 3" on both sides with tongues.



3.4 Remove lip on protrusion on existing end board (Fig. 3.4a, above). Place continuous 1/8" bead of Kährs Landobond Adhesive (SKU# 710225) along both tongues on existing floor (Fig. 3.4), and apply liberally along protrusion and in groove along end joint.



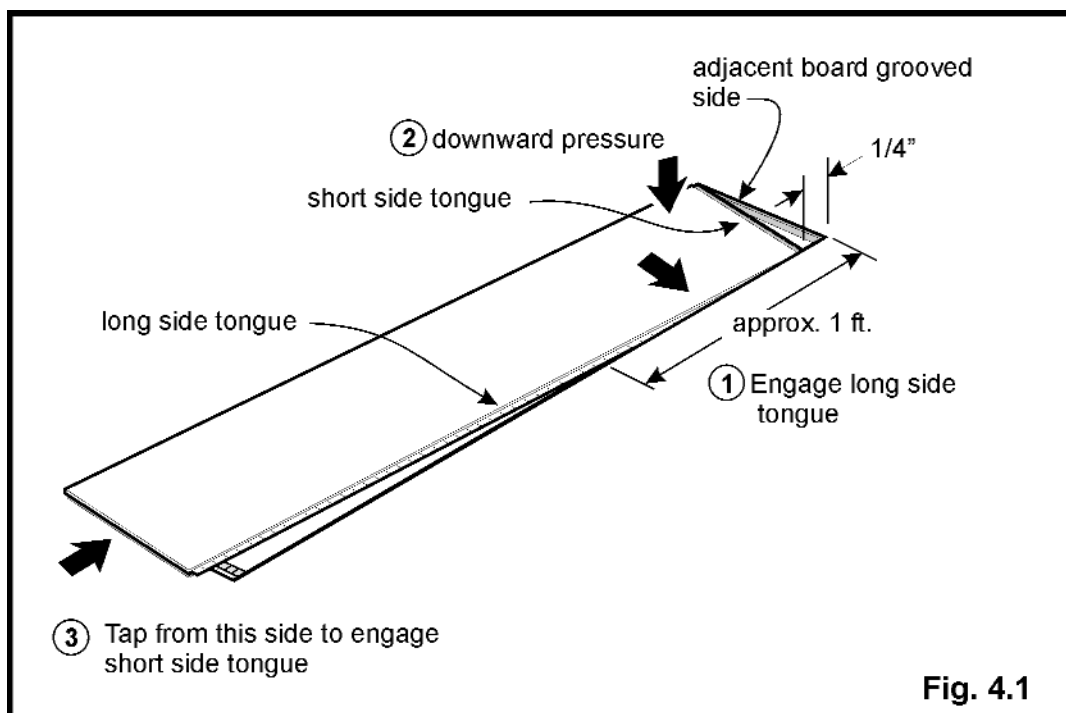
Board Replacement Instructions

3 Woodloc Board into Woodloc Floor

Step 4 Installing Replacement Board

- 4.1 Replacement board must be 'dry-fit' prior to gluing to insure there is no overwood. If there is evident overwood, sand/file underside of replacement board until replacement board is flush (as described in step 1.3). Dry fit as necessary until replacement board lies in flush with adjacent boards.

Begin to install replacement board by (1) engaging approximately 1ft. of long side tongue into groove leaving a space approximately 1/4" from adjacent board



short grooved side as shown in Fig. 4.1. Have an assistant apply downward pressure on corner of replacement board, as shown. Now engage replacement board short side tongue by carefully tapping opposite end. *Use caution to avoid damaging wear layer.* When end joint is engaged, finish engaging long side tongue.

- 4.2 Span long overlapped joint with cut-out portion of damaged board and apply weight (150 lbs. weight evenly distributed over 8 ft.) for 24 hours or until dry.
- 4.3 Any dried Landobond Adhesive that may have bled up under weighted board onto finished flooring can be removed with acetone.