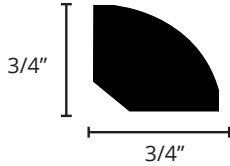




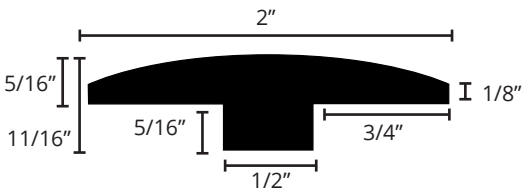
MOLDINGS FOR ALL KÄHRS WOOD FLOORS



QUARTER ROUND

Conceals expansion space between the wall and Kährs hardwood flooring. Also used to transition between wood flooring and cabinetry.

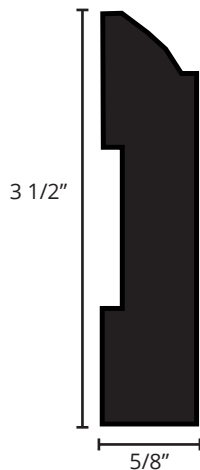
Applicable Collections	Molding Dimensions	Pieces per Order	Shipment Weight
All Floors	3/4" x 3/4" x 78"	10	10 lbs



T-MOLDING

Used in doorways to blend flooring surfaces in adjoining rooms or where floors of the same thickness meet.

Applicable Collections	Molding Dimensions	Pieces per Order	Shipment Weight
All Floors	2" x 11/16" x 78"	5	25 lbs



WALL BASE

Provides an elegant, traditional transition from the flooring to wall. Gives any room a more formal, finished appearance.

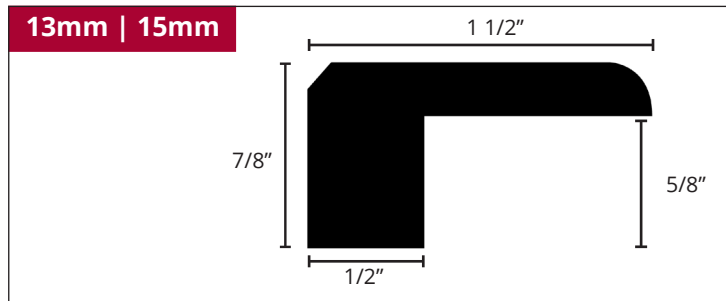
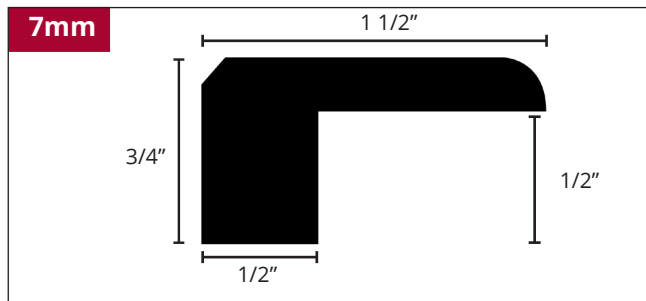
Applicable Collections	Molding Dimensions	Pieces per Order	Shipment Weight
All Floors	5/8" x 3 1/2" x 78"	5	25 lbs

MOLDINGS SPECIFIC TO FLOOR THICKNESS

SQUARE NOSE REDUCER

Installed against vertical surfaces such as patio doors or fireplace hearths.

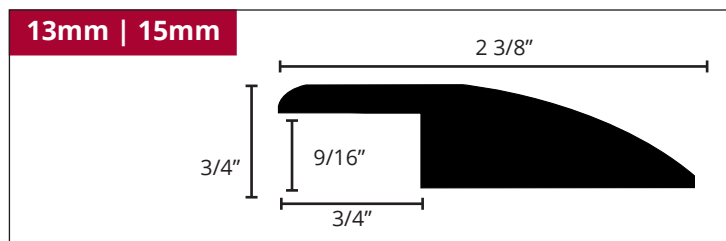
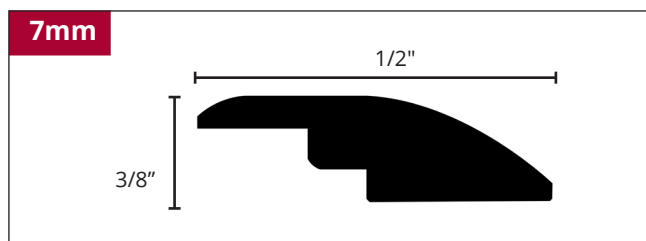
Applicable Collections	Molding Dimensions	Pieces per Order	Shipment Weight
Kährs Life (7mm)	1 1/2" x 3/4" x 78"	5	10 lbs
Kährs Avanti (13mm) Kährs Original, Supreme, ID (15mm)	1 1/2" x 7/8" x 78"	5	10 lbs



OVERLAP REDUCER

Used with floating floor applications to provide a smooth transition between floors of different heights. Overlap profile allows the installed flooring to expand and contract.

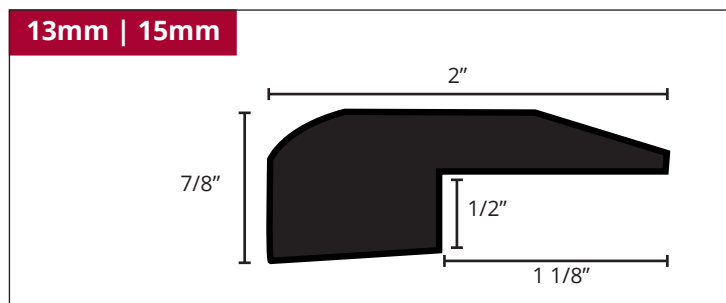
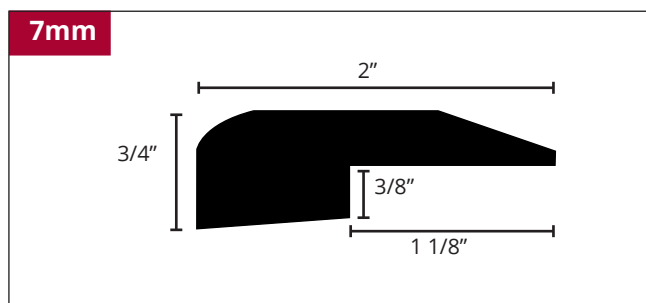
Applicable Collections	Molding Dimensions	Pieces per Order	Shipment Weight
Kährs Life (7mm)	1/2" x 3/8" x 78"	5	10 lbs
Kährs Avanti (13mm) Kährs Original, Supreme, ID (15mm)	2 3/8" x 3/4" x 78"	5	10 lbs



THRESHOLD

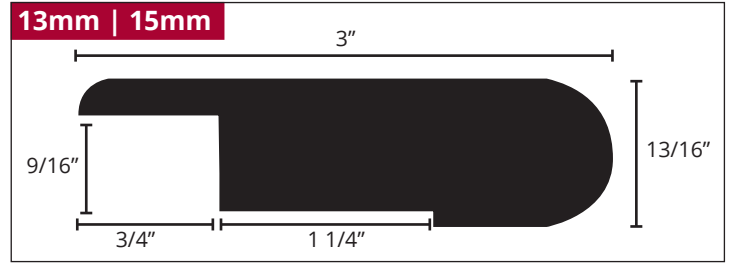
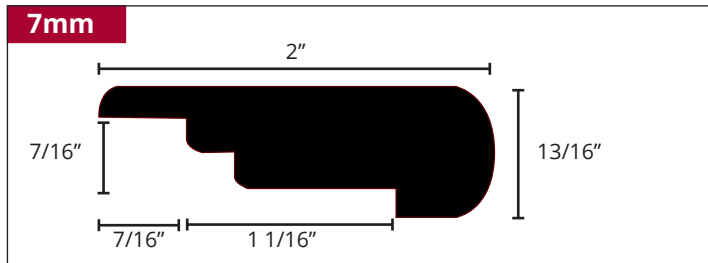
Ideal for doorways or to transition between floors of different heights. Used with wood, tile or carpet.

Applicable Collections	Molding Dimensions	Pieces per Order	Shipment Weight
Kährs Life (7mm)	2" x 3/4" x 78"	10	10 lbs
Kährs Avanti (13mm) Kährs Original, Supreme, ID (15mm)	2" x 7/8" x 78"	5	10 lbs



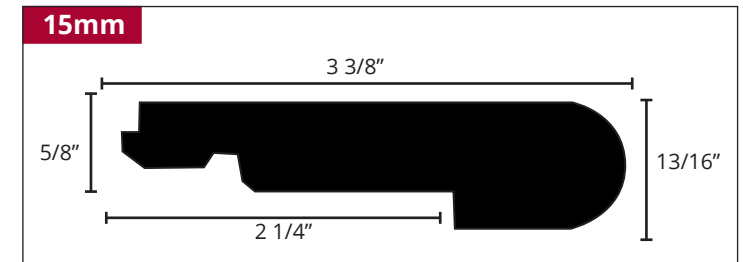
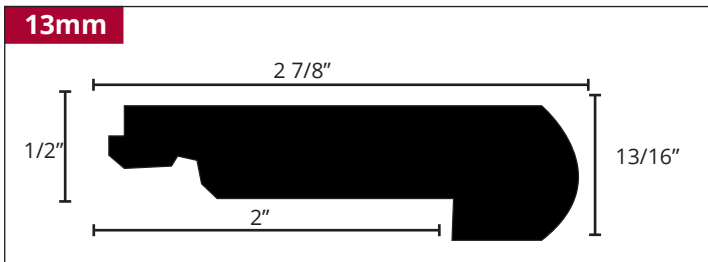
OVERLAP STAIR NOSINGS

Applicable Collections	Molding Dimensions	Pieces per Order	Shipment Weight
Kährs Life (7mm)	2" x 13/16" x 78"	5	20 lbs
Kährs Avanti (13mm) Kährs Original, Supreme, ID (15mm)	3" x 13/16" x 78"	5	20 lbs



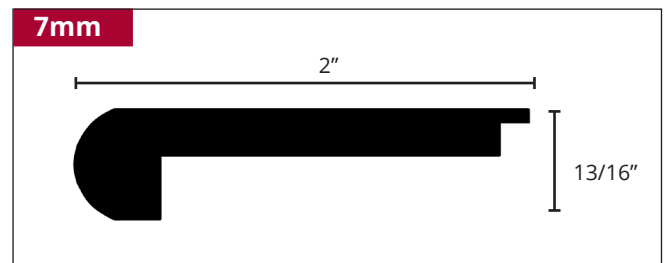
WOODLOC® STAIR NOSINGS

Applicable Collections	Molding Dimensions	Pieces per Order	Shipment Weight
Kährs Avanti (13mm)	2 7/8" x 13/16" x 78"	5	20 lbs
Kährs Original, Supreme (15mm)	3 3/8" x 13/16" x 78"	5	20 lbs



FLUSH STAIR NOSINGS, WOODLOC®

Applicable Collections	Molding Dimensions	Pieces per Order	Shipment Weight
Kährs Life (7mm)	2" x 13/16" x 78"	5	20 lbs



FLUSH STAIR NOSINGS, TONGUE & GROOVE

Applicable Collections	Molding Dimensions	Pieces per Order	Shipment Weight
Kährs ID (15mm)	3" x 13/16" x 78"	5	20 lbs

