

INSTALLATION INSTRUCTION KÄHR'S LUXURY TILES CLICK

GENERAL

The room temperature when installing the floor must be between +18°C and 25°C, and the relative humidity in the premises is recommended to be between 25 % and 70 %. The flooring material must be acclimatized in the room for at least 24 hours before installation. If the subfloor is already prepared, installation can be started right away, without acclimation.

The optimum room temperature for the installation is around 21 degree Celsius. The room temperature must be maintained for at least 48 hours after installation. If under-floor heating is installed, Kährs LT Click Sensation may be exposed to max. +28°C and the subfloor must be flat and stable.

SUBFLOOR

Kährs Luxury Tiles Click Sensation can be installed on most substrates, which must be clean, sufficiently dry and firm, free of yield or movement, free of cracks and flat (max 3mm per 2 meter and max 1.2mm per 25cm).

For a concrete substrate, the max. RH is 85 % during installation, measured in accordance with the current industry standard. Any dust or loose particles must be carefully removed. Any stains or spills from paint, oil or similar must be removed. Any unevenness in concrete floors must be levelled. Levelling compound/filler must be sufficiently firm for the area of application in the premises.

The installation on floating floors such as layered plank and laminated panels is allowed provided that a substrate with the CS = 200 kPa and vapour-insulation barrier with SD >75 m was laid under them properly.

In the case of installation on the substrate covered with ceramic tiles, fill the tile joints with the gap wider than 4 mm and deeper than 1 mm with a compound for the filling or a resin grout.

INSTALLATION

Before starting the installation, make sure you read through the instructions.

Kährs Luxury Tiles Click Sensation are suitable for any indoor locations with a steady temperature. Measure the area to be installed and decide on the direction of installation.

The width of the tile on the last row must be no less than approx. 50 mm. If so, adjust the width of the first row. Install the floor without adhesive.

Kährs LT Click Sensation shall always be installed gap of 8 mm with a maximum length x width of 30 x 30 m. When fitting under doorjambes, please keep in mind the 8 mm expansion gap.

In rooms with quadratic areas (L, F, T, U shapes), separate the areas we recommend using an expansion joint, especially by door openings. If you have any questions, please contact your dealer for further information. You can use the floor immediately after installation. The strips must be secured to the wall, never to the floor.

MISCELLANEOUS

Color matching between individual tiles can only be guaranteed for tiles with the same production number (see production number on each pack). Always check that all packs have the same production number before installation. We recommend that the tiles be installed in the same direction, in accordance with the mark/arrow on the reverse side of the tile.

The design on this product is randomly distributed and can be heavier on some tiles/planks than others. To prevent heavy and light color shading areas, the tiles/planks should be unboxed and shuffled.

Despite the fact that all material is inspected carefully before delivery, faults can occur. Any deviations (damaged or incorrect floor tiles) must be reported immediately to Kährs and must not be installed, but must be set aside before installation. If you are in any doubt before installation, always consult us. Any returns must always be approved by Kährs, so contact us to make sure they are processed correctly. Office chairs that are to be used on Kährs Luxury Tiles Click Sensation must be fitted with soft type W castors in accordance with DIN 68131. Also note the firmness requirement for the substrate. Rubber wheels, rubber pads, printing ink from plastic, etc. can discolor the floor and leave permanent marks.

In conservatories, verandas and winter garden behind large windows or where there is significant light exposure the floor temperature can reach 40°C or more, it is not recommended to install these floors.

Always use pads on furniture to protect the floor against surface damage, scratches, etc.

If construction activity is to continue, place protective covering on newly-installed floors. Do not tape the protective cover directly to the floor. The adhesive on the tape can have a negative effect on the floor and some types of adhesive are very difficult to remove.

For higher protection, desk mat can be installed under castor chairs and rolling furnitures.

Allow an expansion gap around the whole outer border, i.e. also for pipes, stairs, pillars, door frames and thresholds.

Expansion gap and maximum installation area is:

Kährs LT Click 6mm Sensation

Max area 625 s.q.m.,

max length or width is 25m.

Expansion gap 8mm

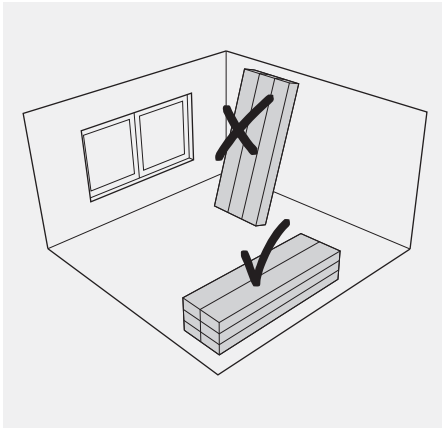
In case you want to replace a damaged plank, cut inside the plank with a cutter and remove the damaged plank. Remove the tongue and groove in each corner of the empty space. use a hot air blower to make it more flexible, before you install a new plank.

Insert first the long side and press it under the groove on the short side.

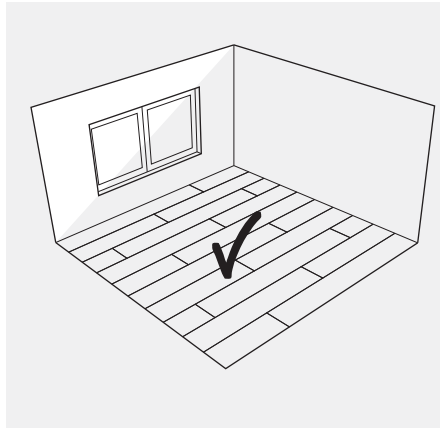
When placed and clicked, just press the tongue in the groove on the other side.

Please feel free to contact us for additional information. So, it is a floating construction.

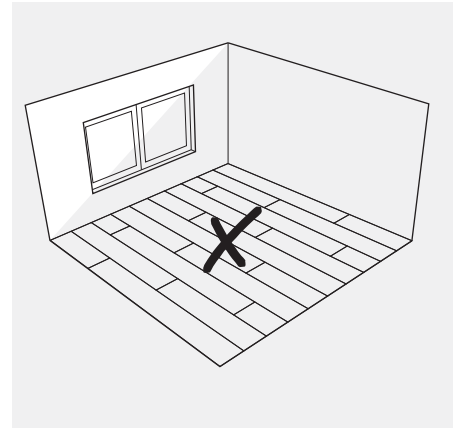
GENERAL INSTRUCTIONS FOR PLANK



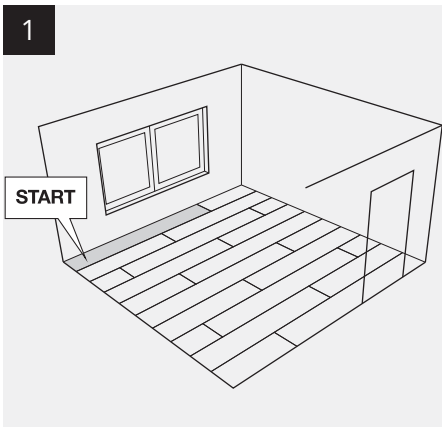
Never lean the boxes against the wall.



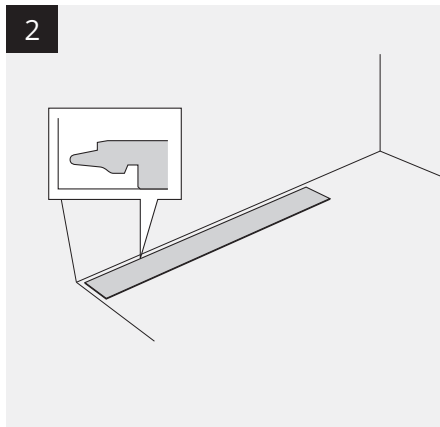
The ideal direction is to be parallel to the main window.



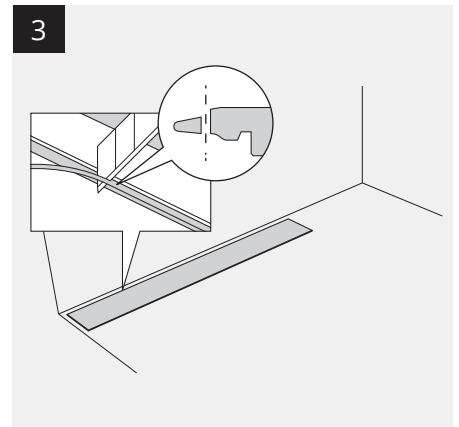
Please avoid installing the floor vertically to the main window.



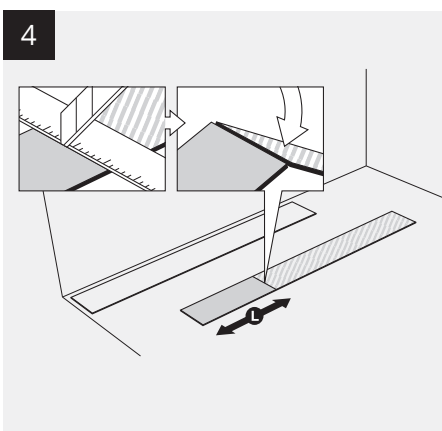
Please start the first row from the left corner parallel to the main window.



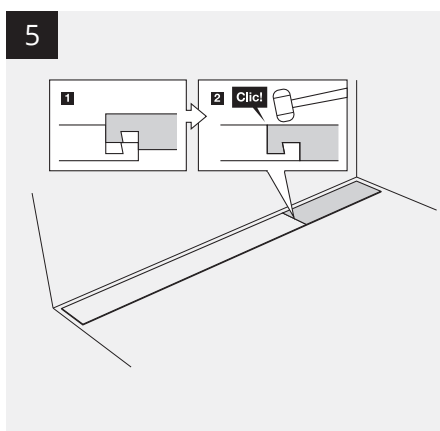
Place the first plank with the tongue pointing to the wall. This applies to all the planks that are to be installed on the first row.



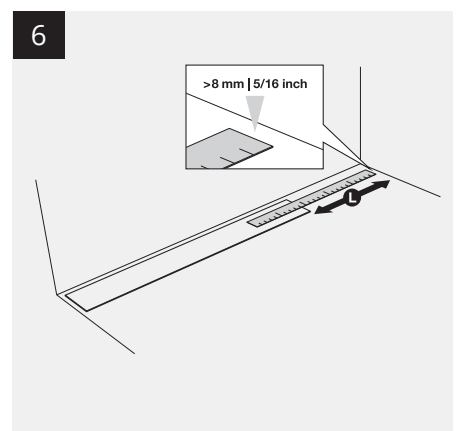
Due to the nature of the LVT floating floor, please always leave a 8mm distance as expansion gap from the planks to the wall or any fixation. For the first row, please trim away the tongues from the planks to be more precise with the expansion gap.



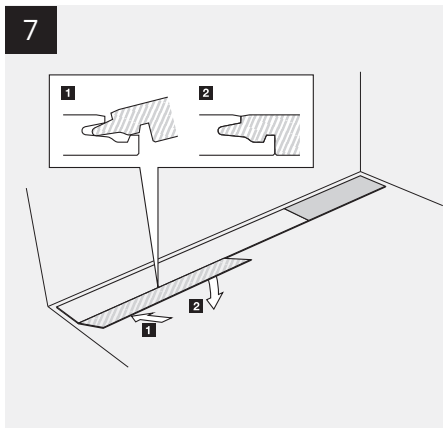
Take another plank, mark the length to be cut off. To cut the LVT, please use a regular cutter knife to move along its surface, and then easily snap the plank into two.



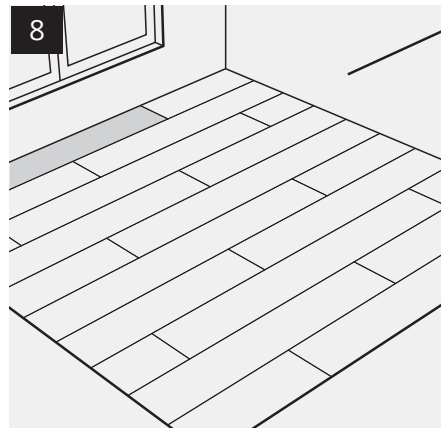
Use the cut piece to finish the row by folding down the piece vertically. Use the rubber hammer and gently knock on the short end joint. If two planks are perfectly joint together, you can hear the click.



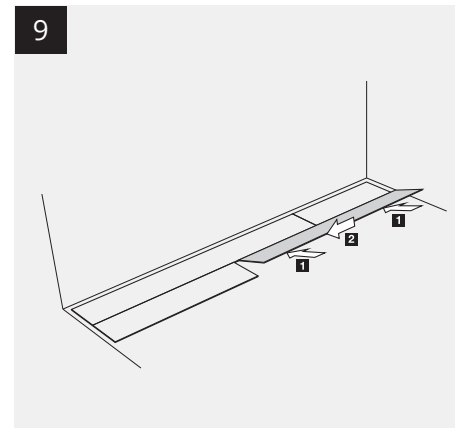
For the situation when there is only a portion of the plank is needed to finish covering the row. Carefully measure the length to be covered; remember to exclude 8 mm as expansion gap from your measurement. Note down the result.



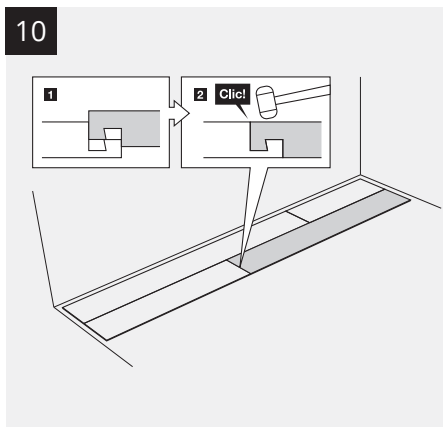
Use the rest of the cut plank to start another row. Insert the long side tongue into the groove of the plank from the previous row. Adjust the fitting with low angle movement till both planks seamlessly joint together.



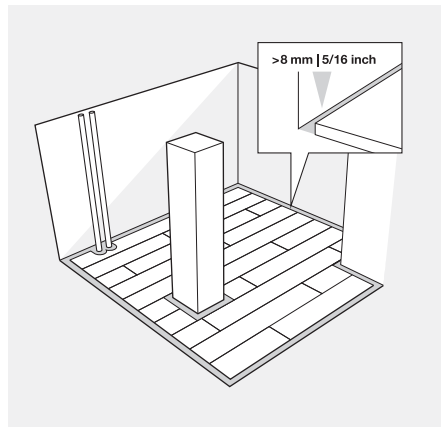
The minimum distance between the short ends of the tiles in parallel rows may not be any less than approx. 300 mm.



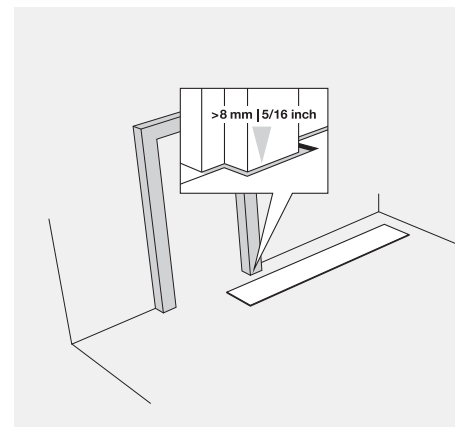
Install another plank beside the previous one using the same method. And fold down to click the short ends together.



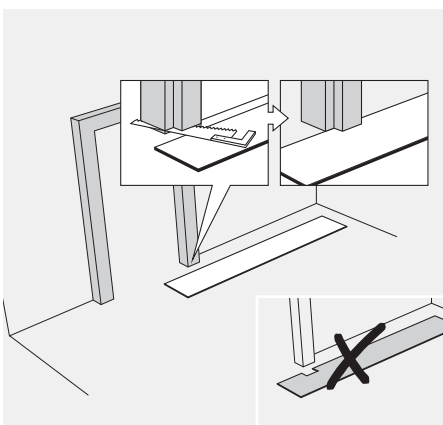
Use a rubber hammer or a tapping block and gently knock on the short end joint. If two planks are perfectly joint together, you can hear the click.



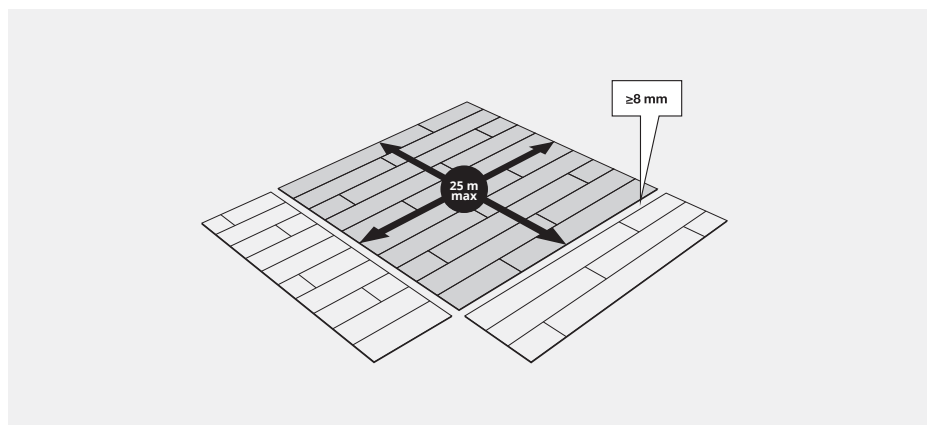
Always maintain a 8 mm expansion gap from the plank to all vertical fixations in the room: wall, columns, pipes, etc.



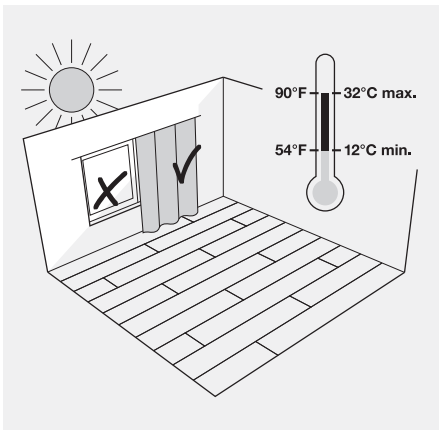
When fitting under doorjamb, please keep in mind the 8 mm expansion gap.



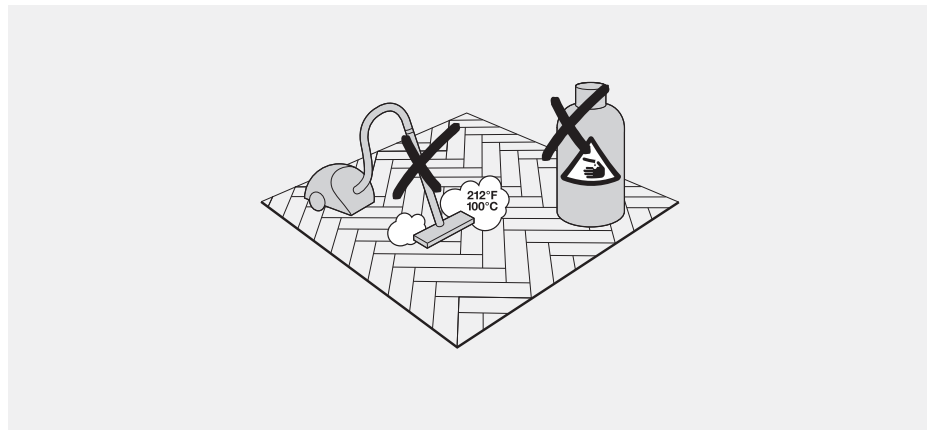
Please avoid cutting the plank along the doorjamb, we recommend you to fit it under, so, undercut the door jamb and insert the planks. Remember to leave an expansion gap of 8mm to allow the floor to float freely.



When the jobsite's width and length are within 25 m, the Kährs Luxury Tiles Click Sensation can be laid in one piece. If the measurement exceeds 25 m, please install suitable dilatation joints to divide the jobsite into smaller installation areas; make sure the width and length of each area is within 25 m. Always leave 8 mm expansion gaps from the planks to the dilatation joints.



To maintain the optimum condition, please always avoid lasting direct exposure to the sunlight and the indoor temperature should be kept under 40 degree Celsius.

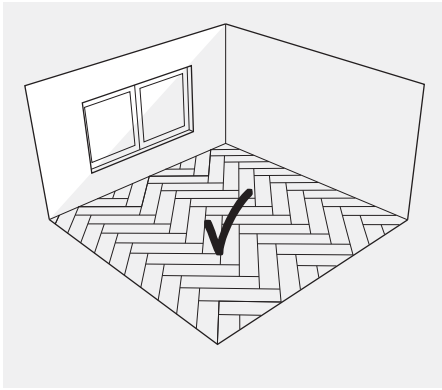


After correct installation, proper cleaning and care are essential.

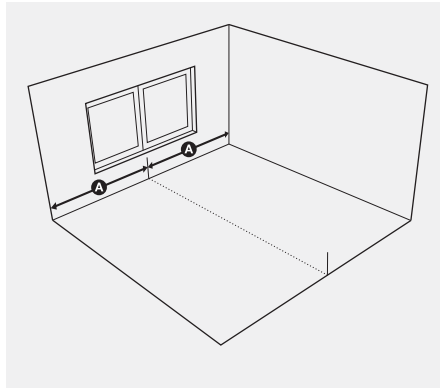
Please follow the below maintenance and cleaning instruction:

1. The rigid LVT floor is suitable for indoor usage only
2. Do not apply on area of sunroom or conservatory
3. Avoid direct exposure to direct and extreme sunlight
4. Keep you room temperature constant, and below 40°C
5. Please don't use wax or vanish coating
6. Spots, marks and spillages should be wiped up as soon as possible to avoid stain
7. Clean only with water or mild detergent or domestic floor cleaning emulsion
8. After cleaning, rinse thoroughly and soak up residual water
9. Never use acetone or chlorinated solvents for cleaning
10. Do not steam clean the floor
11. Remove

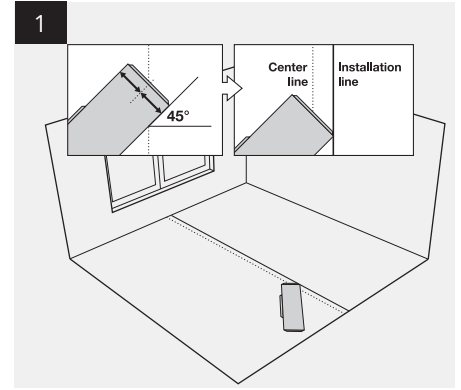
GENERAL INSTRUCTIONS FOR HERRINGBONE



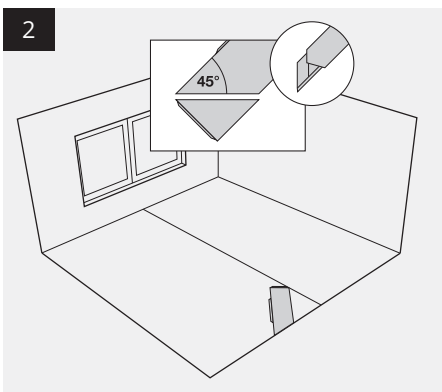
The ideal direction is to be parallel to the main window.



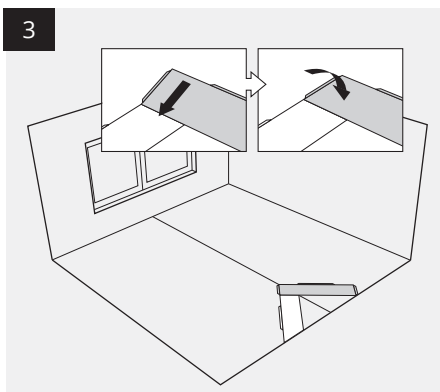
Measure the job site carefully, define and mark out the center line, which divides the installation area equally into two



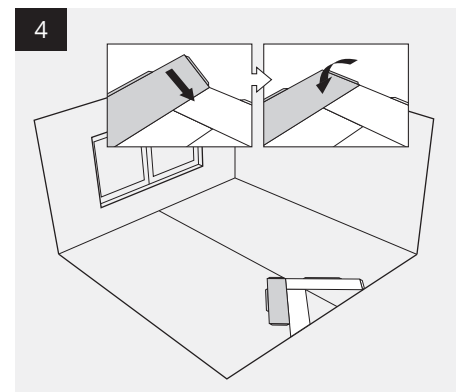
To define the installation line and to ensure the straightness, place the first plank on the center line with its long side groove facing upwards. Define the middle point of its short side, meet this point with the center line and build a 45° angle. The installation line runs through the top edge of the plank and is parallel to the center line



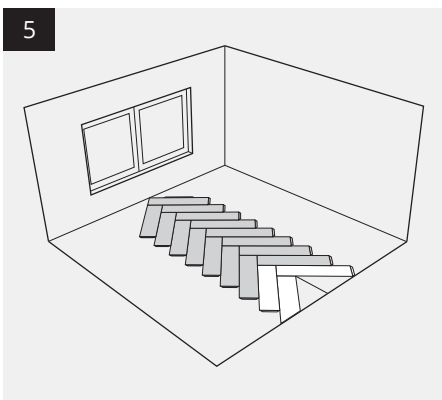
Cut off a 45° equilateral triangle from the lower part of this plank. To cut, use a regular cutter knife, move along the surface of the plank with even pressure and snap. Now place the cut side onto the boarder, keeping an 8mm expansion gap



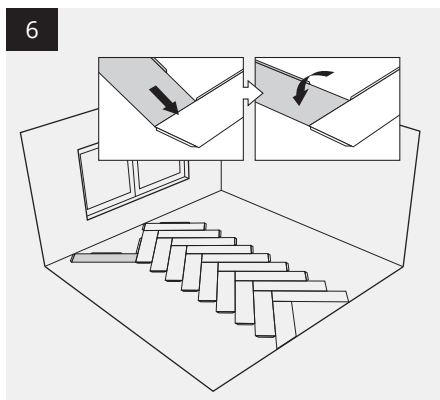
Install the next plank by inserting the tongue into the groove, adjust to a 90° angle and fold down



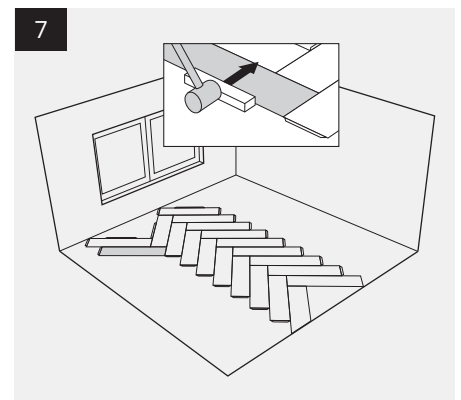
Continue to work with the next plank above using the same method. Make sure to stay on the installation line



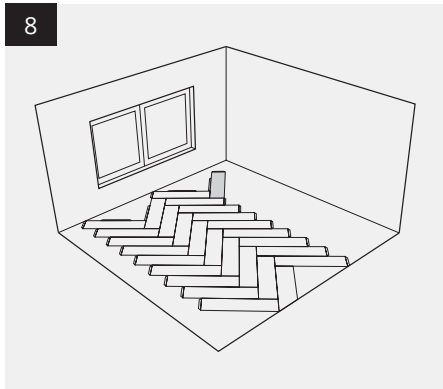
Follow the installation line and finish installing the first 2 rows in the center of the room.



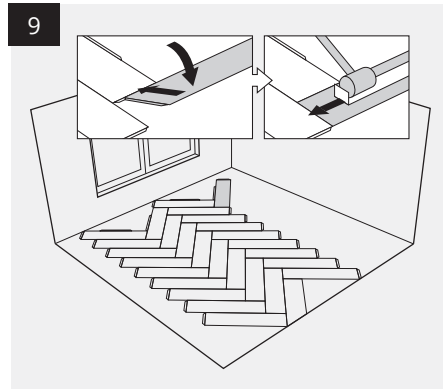
Start with a new row, find the 90 degrees angle, connect the tongue with the groove, insert and fold down



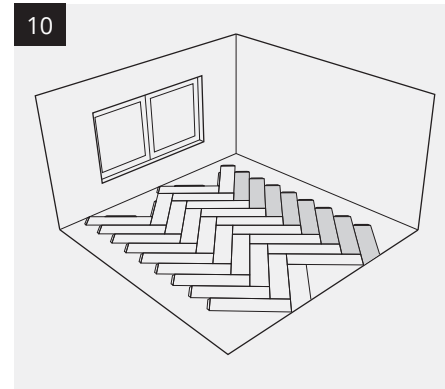
Connect the next plank by the long side, adjust and move the plank till its short side is nearly connected with the plank on the center row.



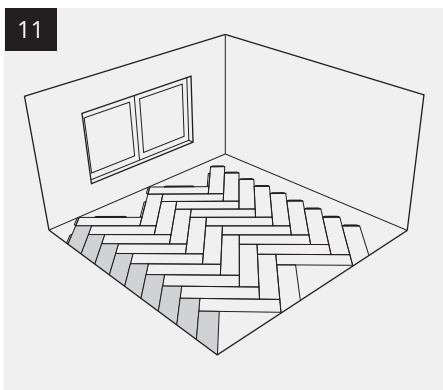
Apply the pulling bar and rubber hammer to snap the tongue into the groove until the connection of the planks is seamless
Follow the same method and finish this row



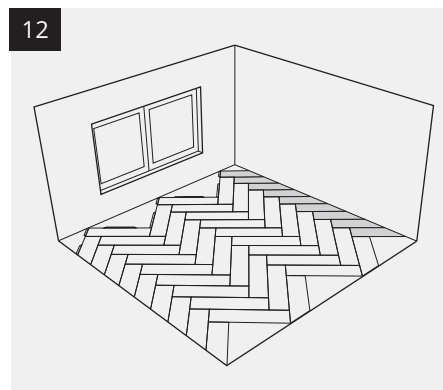
Start with the next row, using the pulling bar and rubber hammer to achieve a firm tongue and groove connection



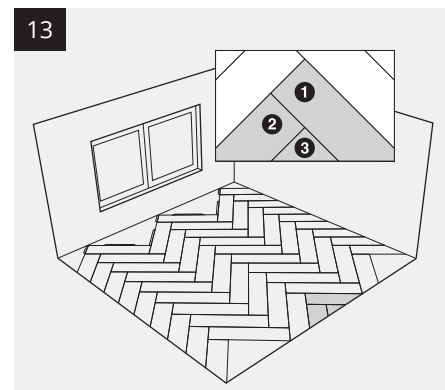
The last plank of this row needs to be cut and adjusted as previously done to the first plank at the beginning of the installation



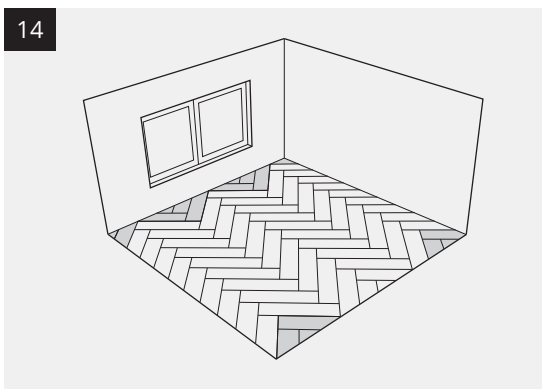
When installing the row beside the wall, always keep the 8 mm expansion gap from plank to the wall. Measure and adjust the length of each plank, find the angle, apply rubber hammer and pulling bar to snap the tongues and the grooves together.



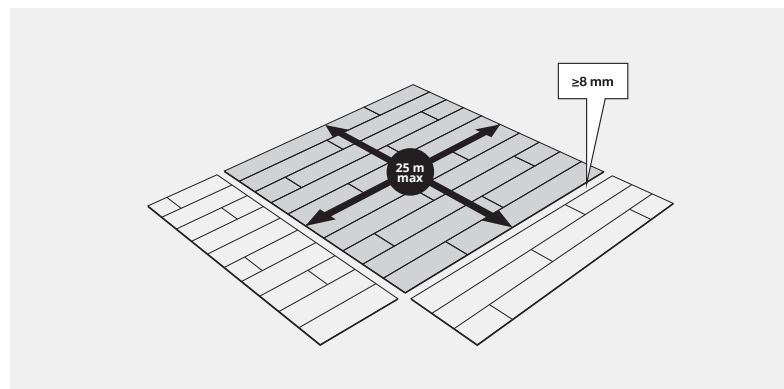
Continue with the same method, until the last vertical row beside the wall is fixed



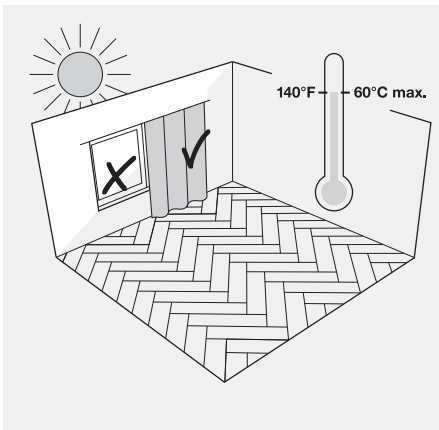
To fill the empty areas, measure carefully to find or cut the missing pieces. Start with the longest piece, then the shorter and end with the shortest.



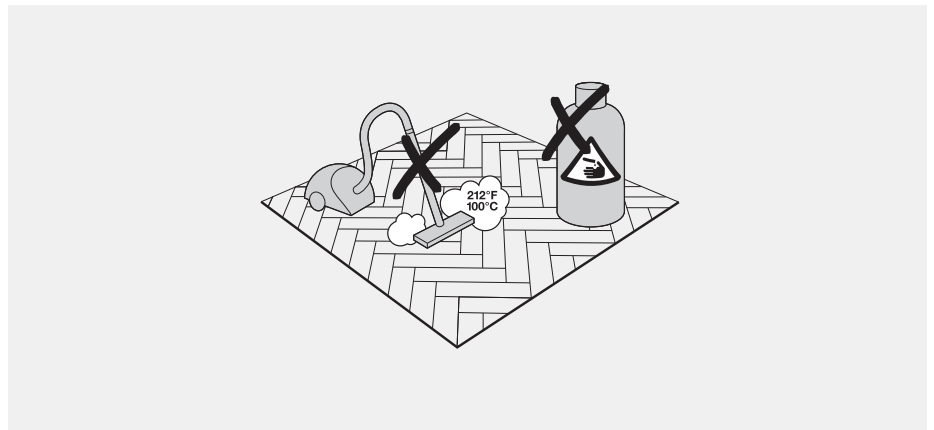
Finish the installation, all the planks shall be seamlessly connected, and the herringbone pattern shall appear straight and symmetric. For a faster and more pleasant installation we recommend you to use our Kährs Herringbone Cutting Template.



When the jobsite's width and length are within 25 m, the Herringbone CLICK vinyl floor can be laid in one piece. If the measurement exceeds 25 m, please install suitable dilatation joints to divide the jobsite into smaller installation areas; make sure the width and length of each area is within 25 m. Always leave 8 mm expansion gaps from the planks to the dilatation joints.



To maintain the optimum condition, please always avoid lasting- direct exposure to the sunlight and the indoor temperature should be kept under 40° Celsius.

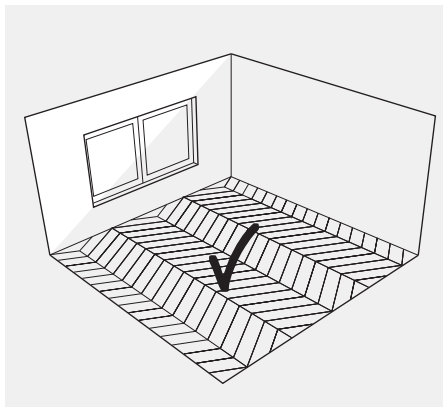


After correct installation, proper cleaning and care are essential.

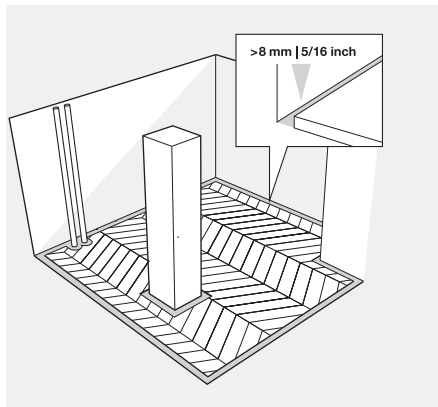
Please follow the below maintenance and cleaning instruction:

1. The rigid Herringbone floor is suitable for indoor usage only
2. Do not apply on area of sunroom or conservatory
3. Avoid direct exposure to direct and extreme sunlight
4. Keep you room temperature constant, and below 40°C
5. Please don't use wax or vanish coating
6. Spots, marks and spillages should be wiped up as soon as possible to avoid stain
7. Clean only with water or mild detergent or domestic floor cleaning emulsion
8. After cleaning, rinse thoroughly and soak up residual water
9. Never use acetone or chlorinated solvents for cleaning
10. Do not steam clean the floor
11. Remove dust, sand and grit particles frequently by sweeping or vacuuming

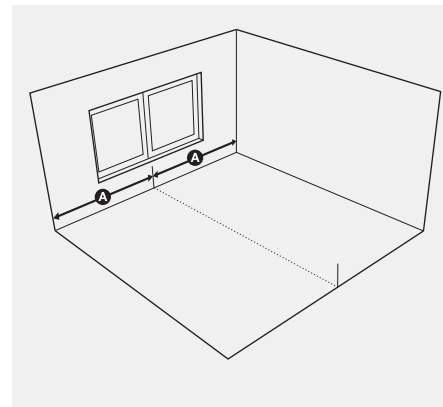
GENERAL INSTRUCTIONS FOR CHEVRON



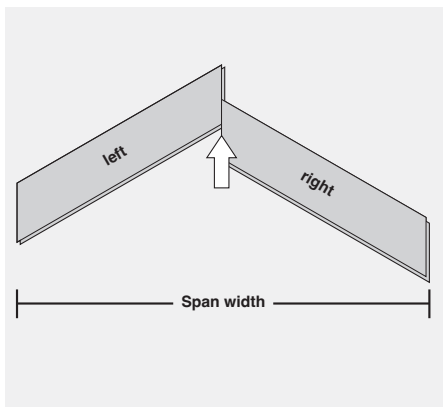
The ideal direction is pointing towards the main window.



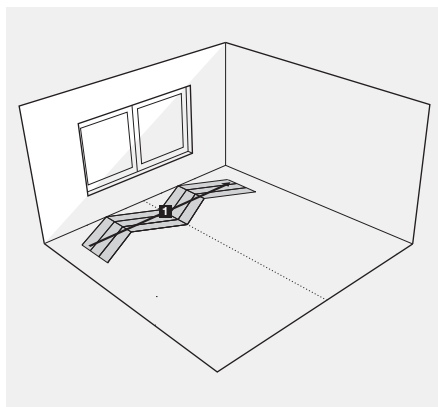
Always maintain an 8 mm expansion gap from the plank to all vertical fixations in the room: wall, columns, pipes, etc..



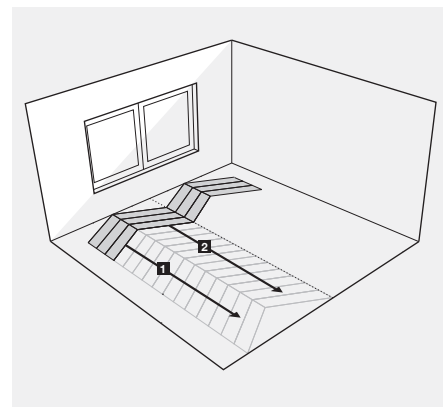
Measure the job site carefully, define and mark out the center line, which divides the installation area equally into two



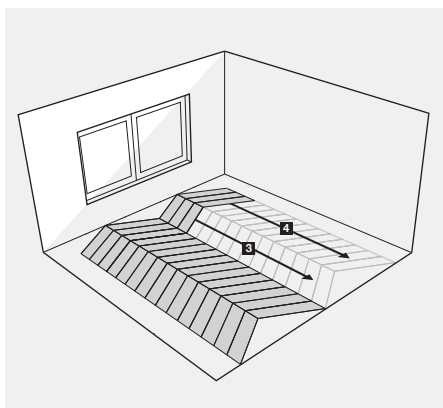
Connect 2 pieces by sliding the pieces together and place the tip on the middle line. The span width helps to achieve a symmetric installation



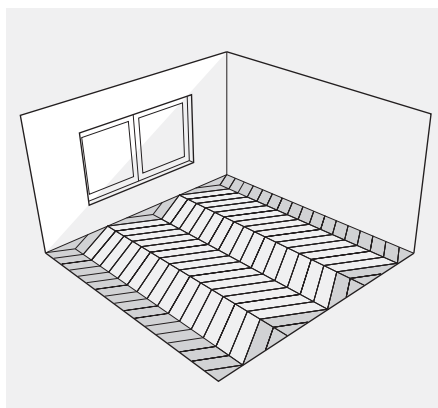
Install the first 3 rows. Always go from left to right. Angel in the long side and place the board to the final position. Then insert the next piece, fold it down, use the rubber hammer to gently knock in the short end joint.



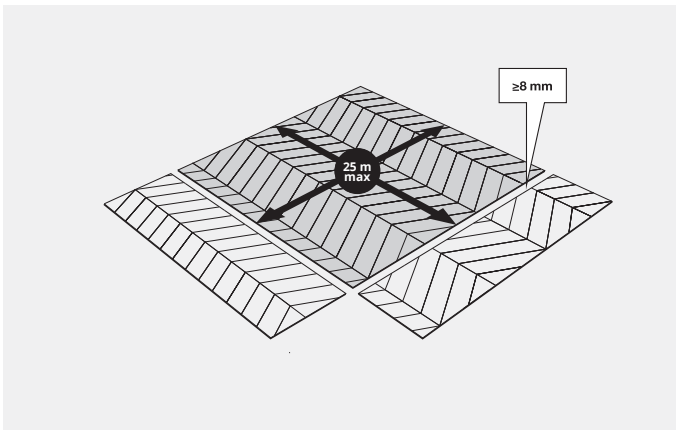
Install the first 3 rows with uncut pieces. You can continue by rows from left to the right until you reach the opposite wall. Or you go in lines from top to bottom as in the drawing.



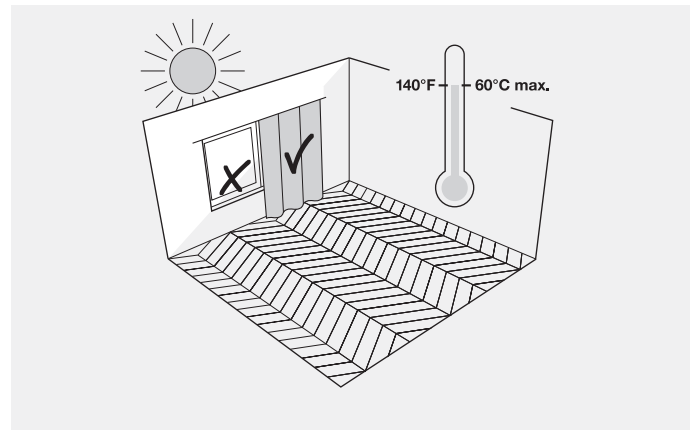
Complete line by line



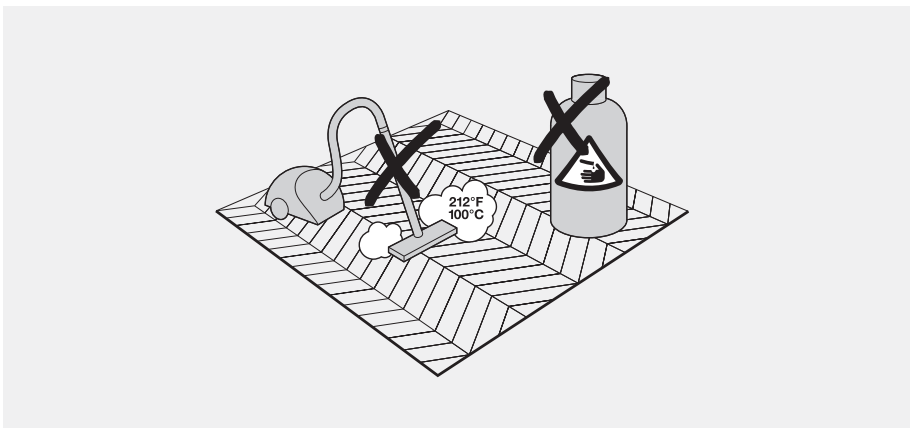
Measure carefully to cut the missing pieces to the walls. Continue in the same installation direction as before. For a faster and more pleasant installation we recommend you to use our Kährs Chevron Cutting Template.



When the jobsites width and length are less than 25 m, the Chevron Click vinyl floor can be laid in one piece. If not, please provide dilatation joints to divide the flooring into smaller areas into smaller installation areas. Always leave 8 mm expansion gaps from the planks to the dilatation joints. Always respect the dilatation of the building construction



When the jobsites width and length are less than 25 m, the Chevron Click vinyl floor can be laid in one piece. If not, please provide dilatation joints to divide the flooring into smaller areas into smaller installation areas. Always leave 8 mm expansion gaps from the planks to the dilatation joints. Always respect the dilatation of the building construction



After correct installation, proper cleaning and care are essential.

Please follow the below maintenance and cleaning instruction:

1. The rigid LVT floor is suitable for indoor usage only
2. Do not apply on area of sunroom or conservatory
3. Avoid direct exposure to direct and extreme sunlight
4. Keep you room temperature constant, and below 40°C
5. Please don't use wax or vanish coating
6. Spots, marks and spillages should be wiped up as soon as possible to avoid stain
7. Clean only with water or mild detergent or domestic floor cleaning emulsion
8. After cleaning, rinse thoroughly and soak up residual water
9. Never use acetone or chlorinated solvents for cleaning
10. Do not steam clean the floor
11. Remove